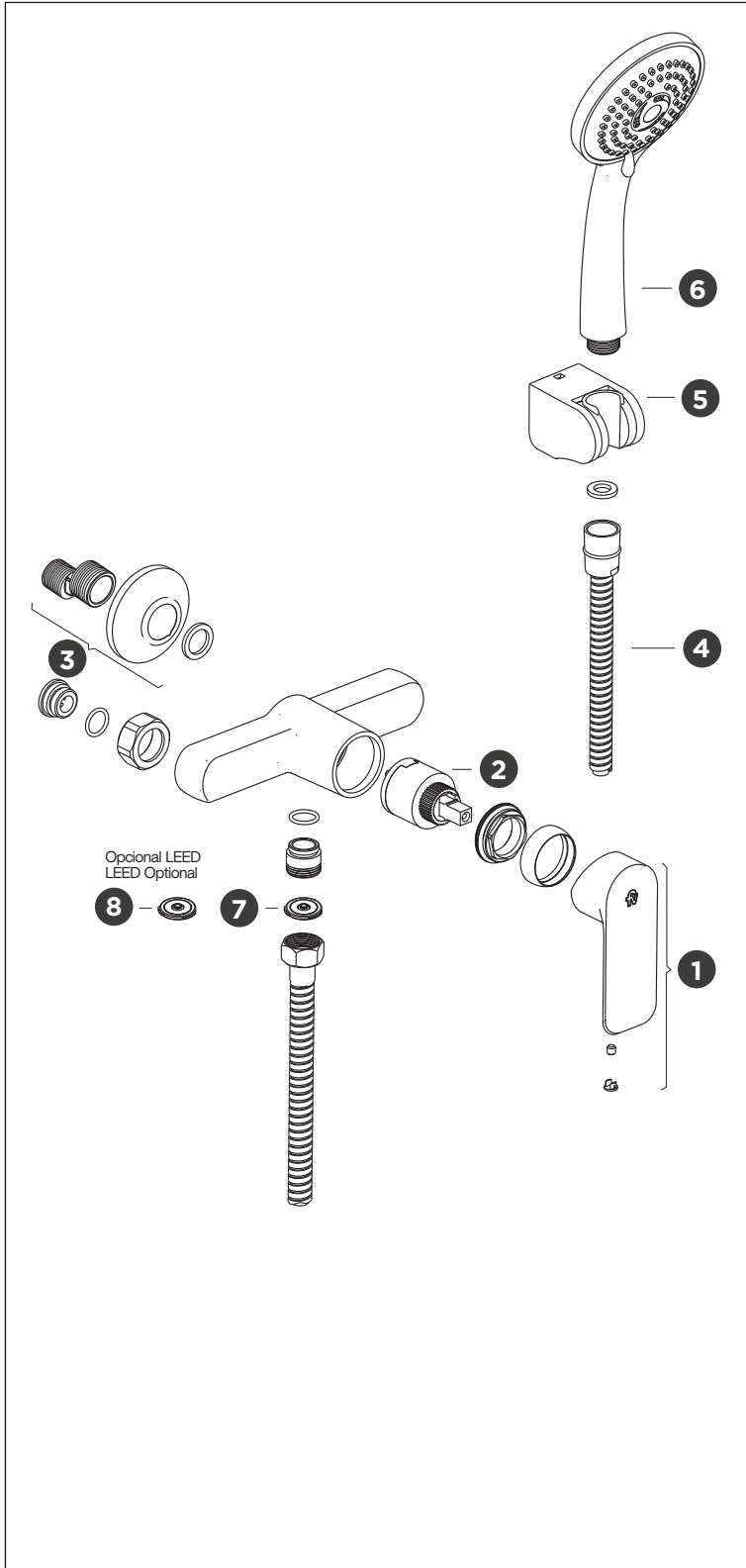


Plano



Código	Denominación
1 Z106/D9.14.0L-R- CR	Manija completa (cromo)
Z106/D9.14.0L-R- ORR	Manija completa (oro rayado)
Z106/D9.14.0L-R- QLR	Manija completa (niquel rayado)
Z106/D9.14.0L-R- NG	Manija completa (negro mate)
2 Z411/B1.25.0-D	Cartucho Ø 35mm
3 Z405.3A.0-R- CR	Set excéntrico (cromo)
Z405.3A.0-R- ORR	Set excéntrico (oro rayado)
Z405.3A.0-R- QLR	Set excéntrico (niquel rayado)
Z405.3A.0-R- NG	Set excéntrico (negro mate)
4 Z310/D9.25.0-D- CR	Manguera de ducha (cromo)
Z310/D9.25.0-D- ORR	Manguera de ducha (oro rayado)
Z310/D9.25.0-D- QLR	Manguera de ducha (niquel rayado)
Z310/D9.25.0-D- NG	Manguera de ducha (negro mate)
5 Z310/L6.15.0-D- CR	Soporte de ducha (cromo)
Z310/L6.15.0-D- ORR	Soporte de ducha (oro rayado)
Z310/L6.15.0-D- QLR	Soporte de ducha (niquel rayado)
Z310/L6.15.0-D- NG	Soporte de ducha (negro mate)
6 Z310/D9.20.0-D- CR	Ducha manual (cromo)
Z310/D9.20.0-D- ORR	Ducha manual (oro rayado)
Z310/D9.20.0-D- QLR	Ducha manual (niquel rayado)
Z310/D9.20.0-D- NG	Ducha manual (negro mate)
7 Z120.9-D10	Restrictor de caudal (9.5 l/m)
8 Z120.9L-D10	Restrictor de caudal - LEED (7 l/m)

Solicitar los mismos comuníquese con nuestro Departamento de Ventas.

Nosotros



Bernardo de Irigoyen 1053 - B1604AFC
Florida - Pcia. de Buenos Aires - Argentina
Tel.: +54 (011) 4730-5300

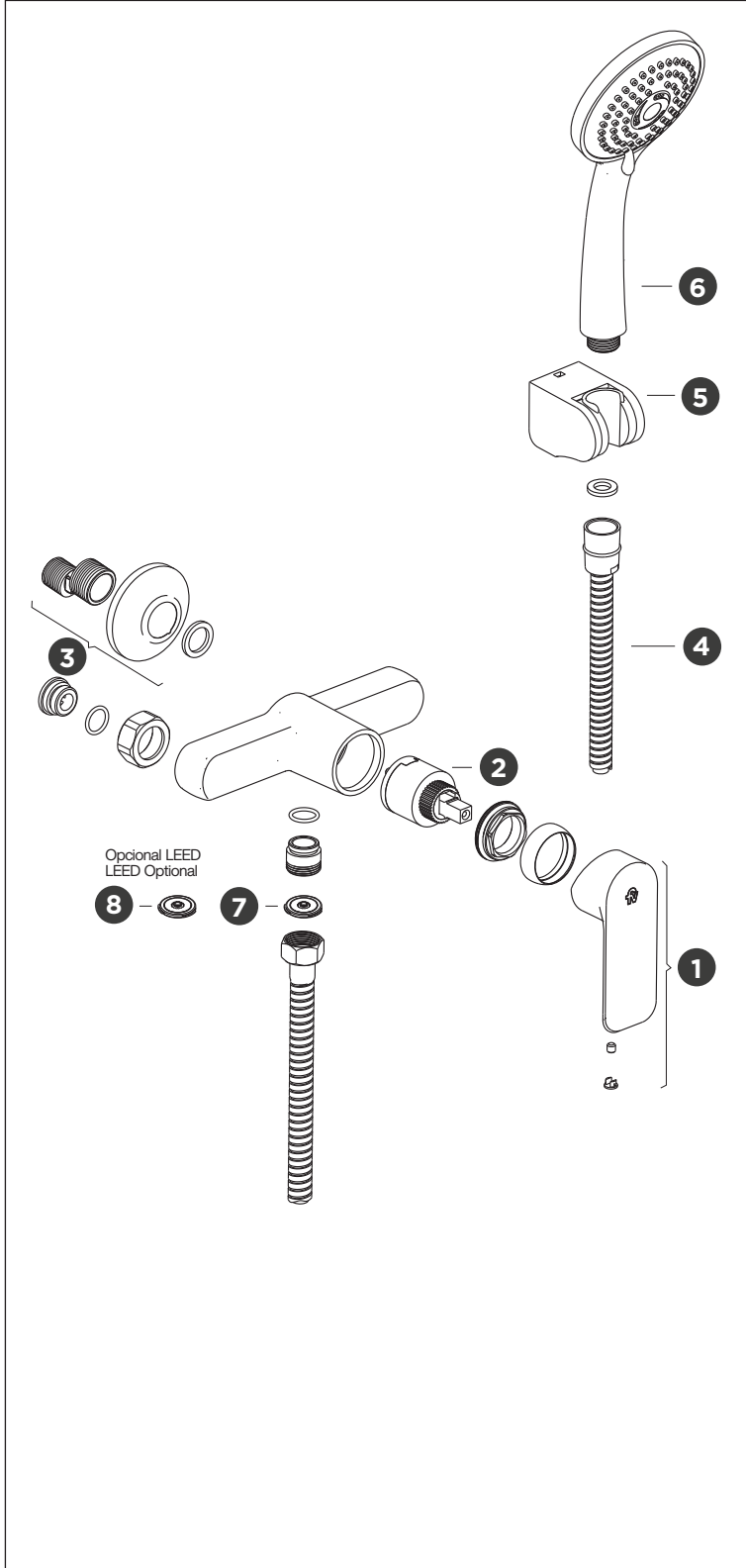
Contacto

Web: www.grupofv.com
E-mail: contacto@grupofv.com
 Grupofvoficial grupofvoficial

UTILIZA SIEMPRE REPUESTOS ORIGINALES FV



Plane



Code	Denomination
1 Z106/D9.14.0L-R- CR	Complete handle (cromo)
Z106/D9.14.0L-R- ORR	Complete handle (oro rayado)
Z106/D9.14.0L-R- QLR	Complete handle (niquel rayado)
Z106/D9.14.0L-R- NG	Complete handle (negro mate)
2 Z411/B1.25.0-D	Ø 35mm cartridge
3 Z405.3A.0-R- CR	Eccentric set (cromo)
Z405.3A.0-R- ORR	Eccentric set (oro rayado)
Z405.3A.0-R- QLR	Eccentric set (niquel rayado)
Z405.3A.0-R- NG	Eccentric set (negro mate)
4 Z310/D9.25.0-D- CR	Flexible hose (cromo)
Z310/D9.25.0-D- ORR	Flexible hose (oro rayado)
Z310/D9.25.0-D- QLR	Flexible hose (niquel rayado)
Z310/D9.25.0-D- NG	Flexible hose (negro mate)
5 Z310/L6.15.0-D- CR	Shower support (cromo)
Z310/L6.15.0-D- ORR	Shower support (oro rayado)
Z310/L6.15.0-D- QLR	Shower support (niquel rayado)
Z310/L6.15.0-D- NG	Shower support (negro mate)
6 Z310/D9.20.0-D- CR	Hand shower (cromo)
Z310/D9.20.0-D- ORR	Hand shower (oro rayado)
Z310/D9.20.0-D- QLR	Hand shower (niquel rayado)
Z310/D9.20.0-D- NG	Hand shower (negro mate)
7 Z120.9-D10	Flow restrictor (9.5 l/m) - (2.5 gpm)
8 Z120.9L-D10	Flow restrictor - LEED (7 l/m)

To request them, contact our Sales Department.

About us



Bernardo de Irigoyen 1053 - B1604AFC
Florida - Pcia. de Buenos Aires - Argentina
Tel.: +54 (011) 4730-5300

Contact

Web: www.grupofv.com
E-mail: contacto@grupofv.com
Facebook: [Grupofvoficial](#) Instagram: [grupofvoficial](#)

ALLWAYS USE
ORIGINAL
FV SPARE
PARTS

